

TECHNICAL DATA

Weight:	276 kg
Base grill area:	670 x 350 mm
Upper grill area per level using original upper grill:	780 x 240 mm
Number of levels:	1 + 4
Exhaust rate:	2.000 m ³ /h
Average charcoal consumption:	10-12 kg

STANDARD EQUIPMENT

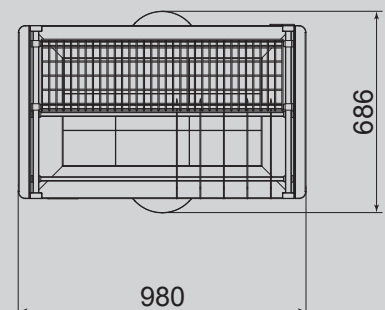
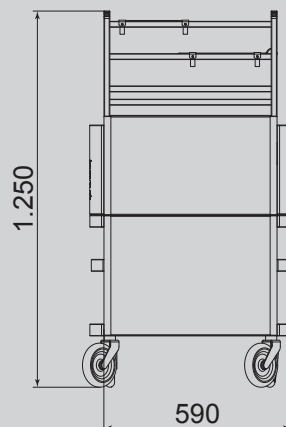
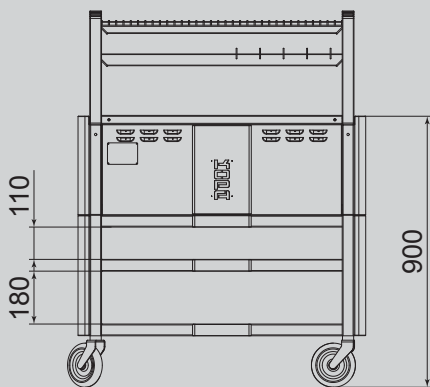
Lower Grill - 1x
 Upper Grill - 1x
 Horizontal support bars - 2 pairs
 Stainless steel skewers - 5x
 Support with a shelf

OPTIONAL EQUIPMENT

Lower Grill 335 x 350 mm
 Flat Grill 280 x 350 mm
 Upper Grill 405 x 250 mm
 Grill Mesh 345 x 275 mm
 Stainless steel skewers
 Side tables



TECHNICAL DRAWINGS



Available in these colors:



Red



Black



Brown