

## TECHNICAL DATA

Weight:	137 kg
Grill Rack size:	380 x 570 mm
Capacity:	40 covers
Working temperature:	250 - 350 °C
Av. daily charcoal cons.:	3 - 6 kg
Power:	3 kW
Exhaust rate:	2.500 m <sup>3</sup> /h
Max. smoke flow:	4,9 g/s

## STANDARD EQUIPMENT

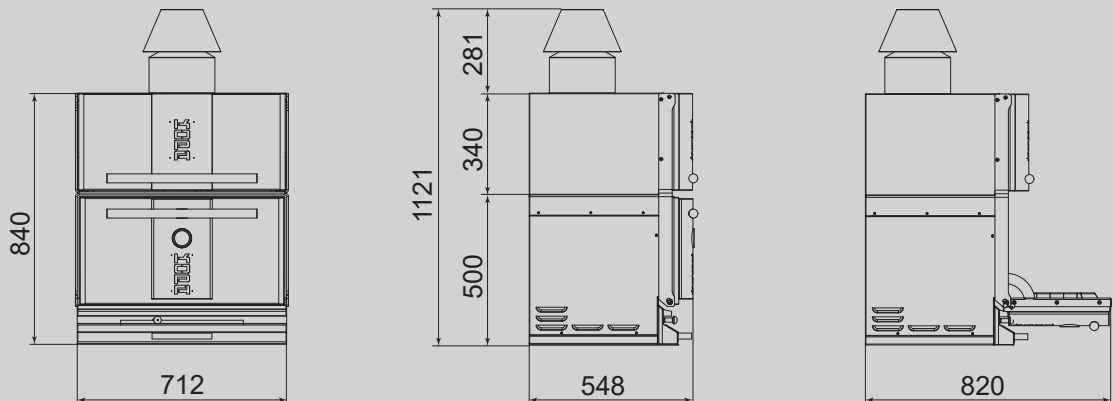
Firebreak  
 Firebreak Hood  
 Grill Rack  
 Kopa Tong  
 Ash Drawer  
 Hot cupboard with shelf

## OPTIONAL EQUIPMENT

Additional Grill Rack  
 Additional Thong  
 Brush



## TECHNICAL DRAWINGS



Available in these colors:



Red



Black



Brown



Shiny metal and gold\*  
 \*surcharge