



Authorized Distributor:
PALLIS PROFESSIONAL
 AGAMENNONOS 15 ILIOUPOLIS GR-16343 ATHENS()
 TEL./FAX. 30 2109965155 / 30 2109965189
 E-mail: info@pallisprofessional.gr



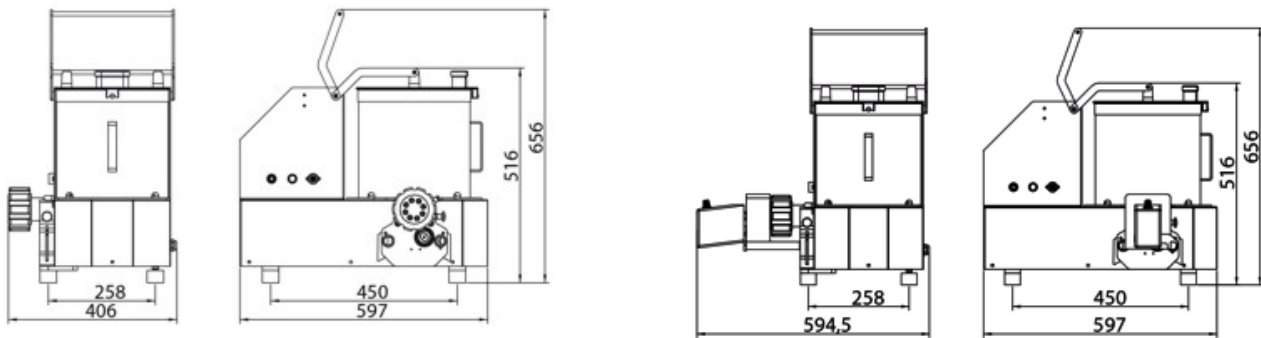
Sirman Pasta Machines , model Sirpasta :

- Planetary spiral mixer for easy and fast dough mixing
- Bowl capacity 20 Lt for 4 Kg dough (3 Kg flour)
- Bowl and spiral easily removable for cleaning and sanitizing
- Stainless steel worm and nickel bronze extruder head
- 70 mm bronze die with large availability of shapes
- Optional pasta cutter motor with variable speed.
- Motor power HP 0,75 230V
- Net weight 22 Kg



Optional pasta cutter

Data sheet



Technical data

Model	Sirpasta
Power	Hp 0,75
Power source	230V/50Hz
Bowl capacity	lt 20
Dough capacity	kg 4
Output/h.	kg/h. 16
Dies	ø mm 75
A	mm 258
B	mm 450
C	mm 406
D	mm 597
E	mm 516
F	mm 656
Net weight	kg 22
HS-CODE	84381090