

TECHNICAL DATA

Weight:	323 kg
Base grill area:	1.130 x 350 mm
Upper grill area per level using original upper grill:	1.240 x 240 mm
Number of levels:	1 + 4
Exhaust rate:	2.500 m ³ /h
Average charcoal consumption:	14-18 kg

STANDARD EQUIPMENT

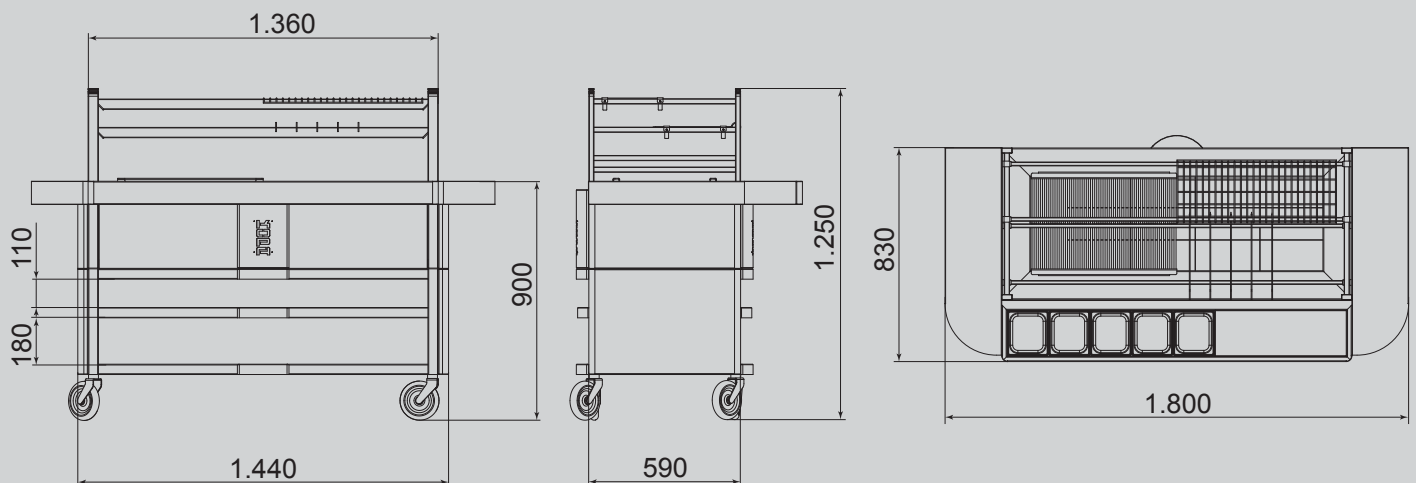
Lower Grill - 1x
 Upper Grill - 1x
 Horizontal support bars - 2 pairs
 Stainless steel skewers - 5x
 Support with a shelf

OPTIONAL EQUIPMENT

Lower Grill	565 x 350 mm
Flat Grill	280 x 350 mm
Upper Grill	620 x 250 mm
Grill Mesh	345 x 275 mm
Stainless steel skewers	



TECHNICAL DRAWINGS



Available in these colors:



Red



Black



Brown