

## TECHNICAL DATA

Weight:	289 kg
Base grill area:	670 x 350 mm
Upper grill area per level using original upper grill:	780 x 240 mm
Number of levels:	1 + 4
Exhaust rate:	2.000 m <sup>3</sup> /h
Average charcoal consumption:	10-12 kg

## STANDARD EQUIPMENT

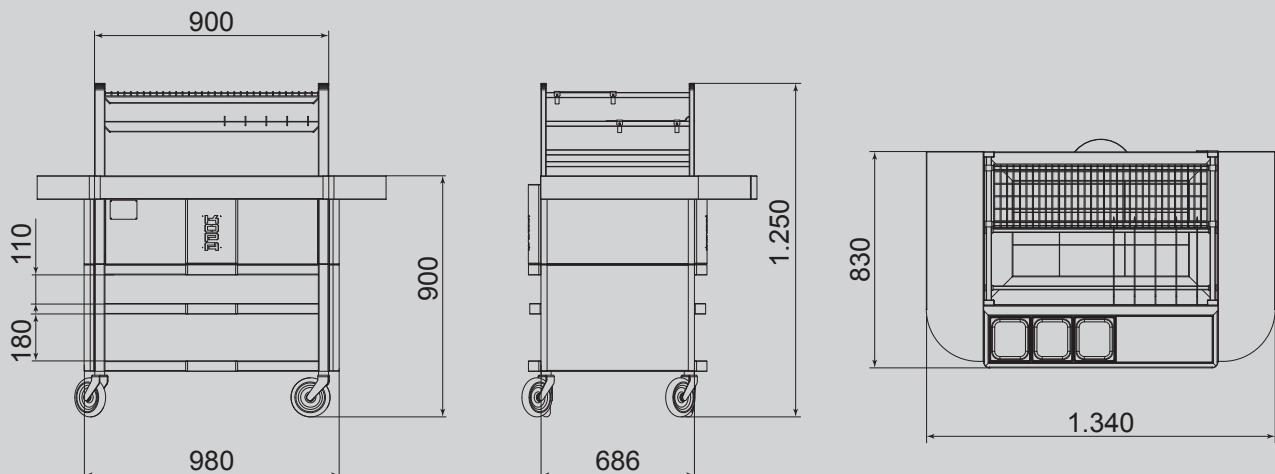
Lower Grill - 1x  
 Upper Grill - 1x  
 Horizontal support bars - 2 pairs  
 Stainless steel skewers - 5x  
 Support with a shelf

## OPTIONAL EQUIPMENT

Lower Grill	335 x 350 mm
Flat Grill	280 x 350 mm
Upper Grill	405 x 250 mm
Grill Mesh	345 x 275 mm
Stainless steel skewers	



## TECHNICAL DRAWINGS



Available in these colors:



Red



Black



Brown