

# Washer extractor

## W555H

### Features and benefits

- **Compass Pro<sup>®</sup> microprocessor offers:**
  - Large display and one control knob for easy program selection
  - Language selection
  - Quick selection and option buttons for the most frequently used wash programs and options
  - Wash program packages optimized on Economy, Performance and Time. (Available on general programs)
- **AS – Automatic Savings:**
  - The machine weighs the linen and adjusts the amount of water and energy according to the load. This leads to considerable savings in case the machine is not fully loaded. (Available on general programs)
- Extremely low water and energy consumption – see table below
- Four compartment detergent box for manual dosing of powder or liquid detergent
- High extraction force for efficient dewatering
- Door with gasket and strong hinges built for heavy duty operation
- Stainless and galvanized steel in all vital parts for high degree of rust protection
- **Power Balance:**
  - Maximises the extraction force, leading to highest dewatering and savings in drying
  - Minimizes the stress on the machine, leading to trouble-free operation and increased machine lifetime
  - Reduces vibrations, making it possible to install the machine in all locations



Images shown are a representation of the product only and variations may occur.

### Main options

- Automatic liquid detergent supply (optional I/O board)
- Connection to booking- /payment- system or coin meter
- Drain pump
- Stacking kit to install tumble dryer T5130 on top to save space

Main specifications				W555H	
Max. capacity	filling factor 1:9	kg/lb		6/13	
Drum,	volume	litre		53	
	diameter	ø mm		452	
Extraction		rpm		1450	
G-factor				530	
Heating alternatives, 230/400V	electricity	kW		2.2 / 2.8 / 4.4	
	non-heated			x	
<b>Consumption data "Normal 60°C"</b>					
<b>Economy*</b>				Full load, 6 kg	Half load, 3 kg**
Total time		min	49	46	
Water consumption (cold+hot)		litre	38+10	18+5	
Energy consumption (motor/heating/hot water)		kWh	0.2/0.2/0.6	0.2/0.1/0.3	
Residual moisture		%	46	48	
* Water temperature 15°C cold water and 65°C hot water.					
** Programs with AS.					

Produced according to ISO 9001 and ISO 14001.

Certified with CB certificate for Low Voltage Directive and S-mark according to the Machinery Directive. Protection class IP X4D.

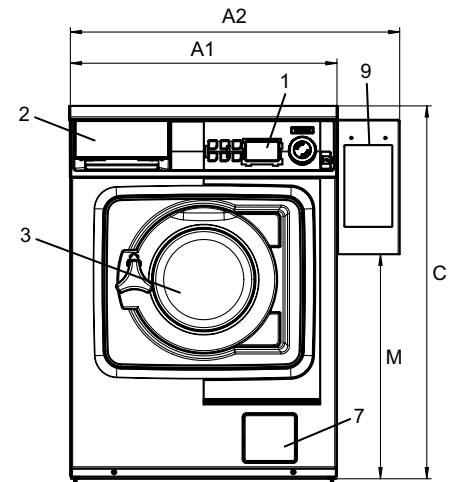
Electrical connections					
Heating alternative	Main voltage		Heating power kW	Total power kW	Recommended fuse A
		Hz			
Electric heated	220-240V 1N ~	50/60	2.2/2.8	2.4/3.0	16
	220-240V 1N ~	50/60	4.4	4.6	20
	220-230V 1N ~	50/60	4.4	4.6	25
	220-240V 3 ~	50/60	4.4	4.6	16
	220-230V 3 ~	50/60	4.4	4.6	20
	380-415V 3N ~	50/60	4.4	4.6	10
	380-415V 3 ~	50/60	3.6	3.8	10
	440V/480 3 ~	60	4.0/4.4	4.3/4.7	10
Non heated	110-480V 1/3 ~	50/60	-	0.5	10

Water connections		W555H	
Water valves	DN	20	
Water pressure	kPa	200-500	
Capacity at 300 kPa	l/min	17	
Drain valve	ø mm	50	
Draining capacity	l/min	160	
Liquid detergent supplies		5	
Floor requirements			
Frequency of the dynamic force	Hz	24.2	
Floor load at max extraction	kN	1.02 ± 0.3	
Sound levels			
Sound power/pressure level at extraction*	dB(A)	70/56	
Sound power/pressure level at wash*	dB(A)	56/42	
Heat emission			
% of installed power, max		5	
Shipping data**			
Shipping volume	net, kg crated, m <sup>3</sup>	100 0.46	
Accessories			
Stainless steel fluff collector		x	
Stacking kit with tumble dryer		x	
Steel base		x	
Dimensions in mm			
A1	Width	595	
A2	Width	735	
B	Depth	681	
C	Height	832	
D1		284	
D2		310	
E		641	
F		84	
G		194	
H		48	
I		65	
J		78	
K		120	
L		119	
M		501	
N		974	
O		764	
1	Operating panel	6	Drain valve
2	Detergent box	7	Drain pump
3	Door opening ø 255 mm	8	Electrical connection
4	Cold water	9	Payment system
5	Hot water		

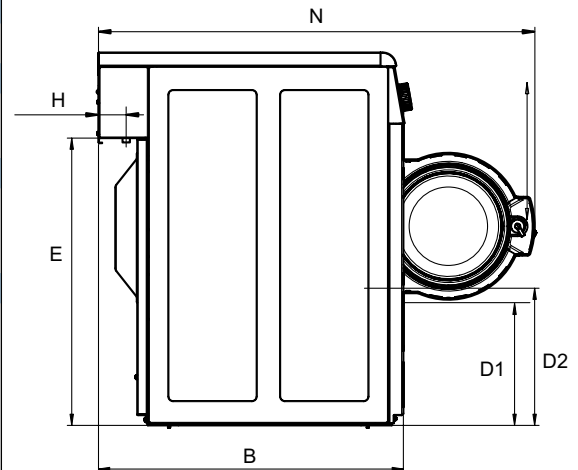
Front and side panels in light grey and blue (RAL 260 70 05, 250 60 30)

\* Sound power levels measured according to ISO 60704.

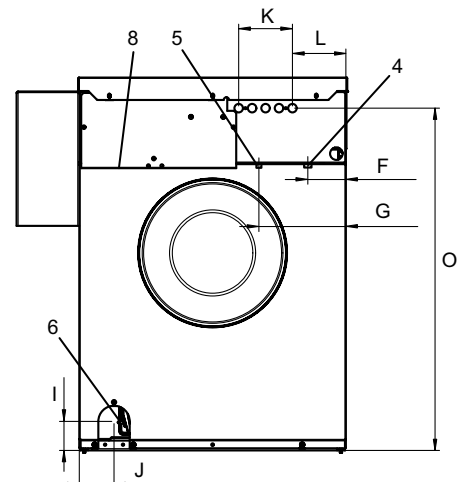
\*\* Average data. Crated weight/shipping volume depends on configuration. Please contact logistics for exact measures.



Front



Side view



Rear