

Washer extractor

W5130N

Features and benefits

- **Compass Pro[®] microprocessor offers:**
 - Large display and one control knob for easy program selection
 - Language selection
 - Quick selection and option buttons for the most frequently used wash programs and options
 - Wash program packages optimized on Economy, Performance and Time. (Available on general programs)
- Extremely low water and energy consumption – see table below
- Four compartment detergent box for manual dosing of powder or liquid detergent
- High extraction force for efficient dewatering
- Door with gasket and strong hinges built for heavy duty operation
- Stainless and galvanized steel in all vital parts for high degree of rust protection
- SuperBalance guarantees the correct extraction force



Images shown are a representation of the product only and variations may occur.

Main options

- Automatic liquid detergent supply (optional I/O board)
- Connection to booking- /payment- system or coin meter

Main specifications				W5130N			
Max. capacity	filling factor 1:9	kg/lb		14/30			
Drum,	volume	litre		130			
	diameter	ø mm		595			
Extraction		rpm		548			
G-factor				100			
Standard heating alternatives	electricity	kW		7.5 / 10.0			
Low energy heating alternatives	electricity	kW		3.0			
	steam			x			
	non-heated			x			
Consumption data "Normal 60°C"				EI		Steam**	
Economy*				Full load, 14 kg	Half load, 7 kg	Full load, 14 kg	Half load, 7 kg
Total time		min		47	45	47	45
Water consumption (cold+hot)		litre		87+23	64+15	110+0	79+0
Energy consumption (motor/heating/hot water)		kWh		0.15/0.65/1.45	0.15/0.45/1.0	0.15/-	0.15/-
Steam consumption		kg		-	-	3.15	2.2
Residual moisture		%		69	78	69	78

* Water temperature 15°C cold water and 65°C hot water.

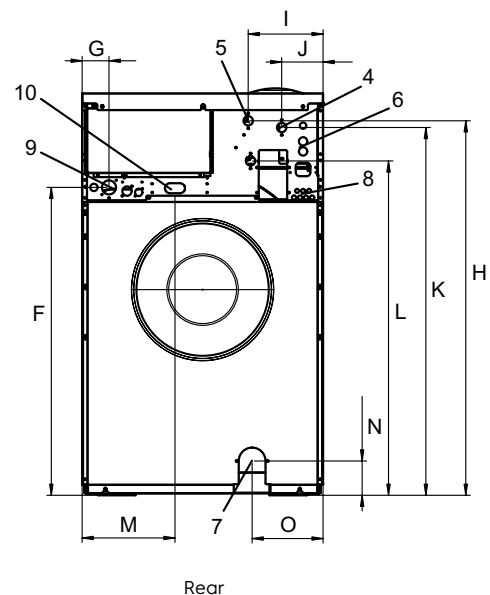
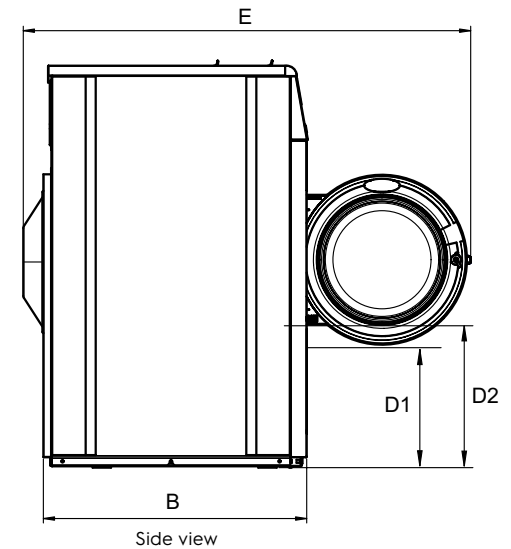
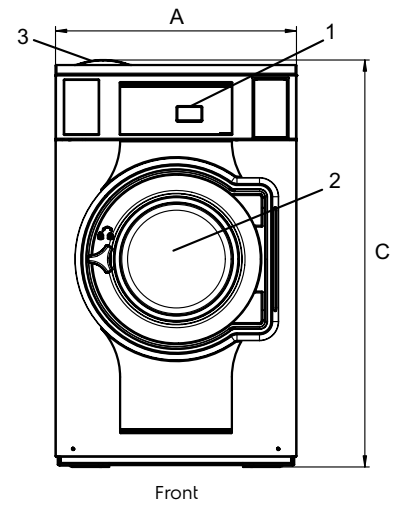
** Depending on steam pressure.

Produced according to ISO 9001 and ISO 14001.

Certified with CB certificate for Low Voltage Directive and S-mark according to the Machinery Directive. Protection class IP X4D.

Electrical connections					
Heating alternative	Main voltage		Heating power kW	Total power kW	Recommended fuse A
		Hz			
Electric heated	220-240V 1 -	50/60	3.0/7.5/10.0	3.5/8.0/10.4	20/35/50
	220-240V 3 -	50/60	7.5/10.0	8.0/10.4	25/35
	380-415V 3N -	50/60	7.5/10.0	7.9/10.4	16/20
	440/480V 3 -	60	7.5/10.0	8.0/10.4	16
Steam or Non heated	220-480V 1 -	50/60	-	1.0	10

Water and steam connection		W5130N
Water valves	DN	20
Water pressure	kPa	200-600
Capacity at 300 kPa	l/min	20
Drain valve	ø mm	75
Draining capacity	l/min	170
Steam valve	DN	15
Steam pressure	kPa	300-600
Liquid detergent supplies		5
Floor requirements		
Frequency of the dynamic force	Hz	9.1
Floor load at max extraction	kN	2.4 ± 3.1
Sound levels		
Sound power/pressure level at extraction*	dB(A)	68/53
Sound power/pressure level at wash*	dB(A)	62/47
Heat emission		
% of installed power, max		5
Shipping data**		
Weight	net, kg	154
Shipping volume	m ³	1.02
Accessories		
Steel base		x
Hose kits for water or steam		x
Fluff collector		x
Dimensions in mm		
A Width		720
B Depth		787
C Height		1216
D1		367
D2		424
E		1337
F		920
G		80
H		1119
I		217
J		124
K		1099
L		999
M		278
N		103
O		212
1 Operating panel	7 Drain	
2 Door opening ø 365 mm	8 Liquid detergent supply	
3 Detergent box	9 Electrical connection	
4 Cold water	10 Steam connection	
5 Hot water		
6 Re-used water		



Front and side panels in light grey and blue (RAL 260 70 05, 250 60 30)

* Sound power levels measured according to ISO 60704.

** Average data. Crated weight/shipping volume depends on configuration. Please contact logistics for exact measures.